

Your details

Name: _____

Address: _____

Post Code: _____

Telephone: _____

Email: _____




Shop from whom you purchased: _____

Repair Authorisation

I would like a quotation to confirm costs.

I authorise you to complete the repair with a maximum cost of £ _____. See our website for our current repair price guidelines.

Payment Method

   *

Maestro/Switch Visa Mastercard

Card Number _____

Expiry Date _____

Switch/Maestro-Start Date/Issue Number _____

We will contact you for your CVC number.

Signature _____

Item Description

Make: _____

Model: _____

Code*: _____

Colour: _____

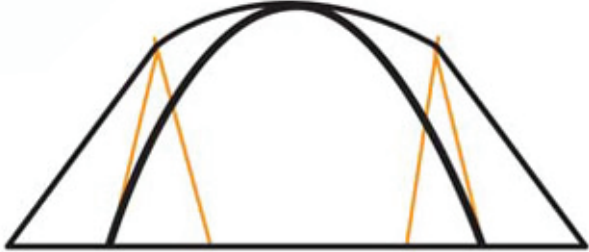

Size: _____

Date of Purchase: _____

Required Back By: _____

Please describe the damage:

Please identify the areas of damage

Please only send us the damaged part of your tent.

* If it's a tent, this is found on a tab stitched inside the inner tent.

For AMG Use	Date Received:	Date Required:	Quote Accepted:	Client A/C:	AMG SOP:	AMG Inv:
-------------	----------------	----------------	-----------------	-------------	----------	----------